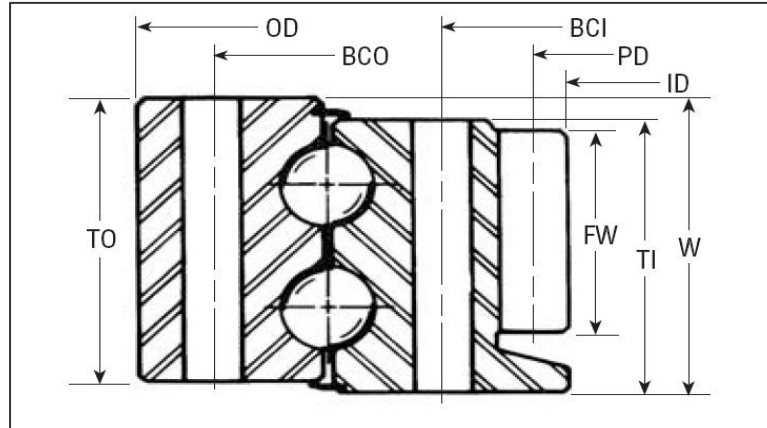


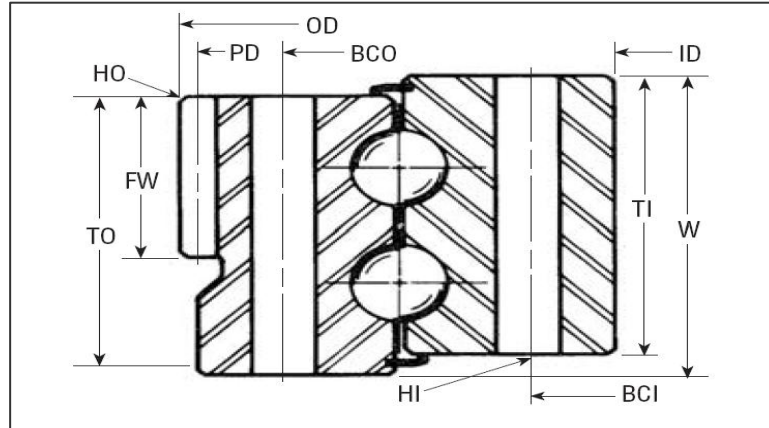
## Double Row Ball Slewing Bearing (Inches Series) INTERNAL GEAR



Designation	Model No.	Outline dimensions (inches)					Hole data						Gear data—20° pressure angle					Approx. wt. lbs.	Reference moment load ft.-lbs.	
		OD	ID	W	TO	TI	BCO	No. holes outer	HO	BCI	No. holes inner	HI	PD	DP	FW	No. teeth	BHN core hardness			Tangential tooth load lbs. max.
IGDBI 108.00-87.17-7.56	12282	108.000	87.170	7.563	7.188	6.250	102.953	66	1.593	93.504	66	1.593	87.874	1.411*	4.130	124	277-321	73,760	5,170	6,900,000
IGDBI 121.00-98.40-8.75	11563	121.000	98.400	8.750	8.438	8.438	117.000	53	1.575	105.000	72	1.575	100.000	1.25*	6.000	125	277-321	107,130	7,610	14,000,000

# Double Row Ball Slewing Bearing (Inches Series)

## EXTERNAL GEAR



Designation	Model No.	Outline dimensions (inches)					Hole data						Gear data—20° pressure angle					Approx. wt. lbs.	Reference moment load ft.-lbs.	
		OD	ID	W	TO	TI	BCO	No. holes outer	HO	BCI	No. holes inner	HI	PD	DP	FW	No. teeth	BHN core hardness			Tangential tooth load lbs. max.
EGDBI 98.80-78.40-8.88	11943	98.800	78.400	8.875	8.250	8.250	94.250	72	1-3/4-8	82.500	60	1.812	98.000	2	4.750	196	277-321	49,680	5,580	7,900,000