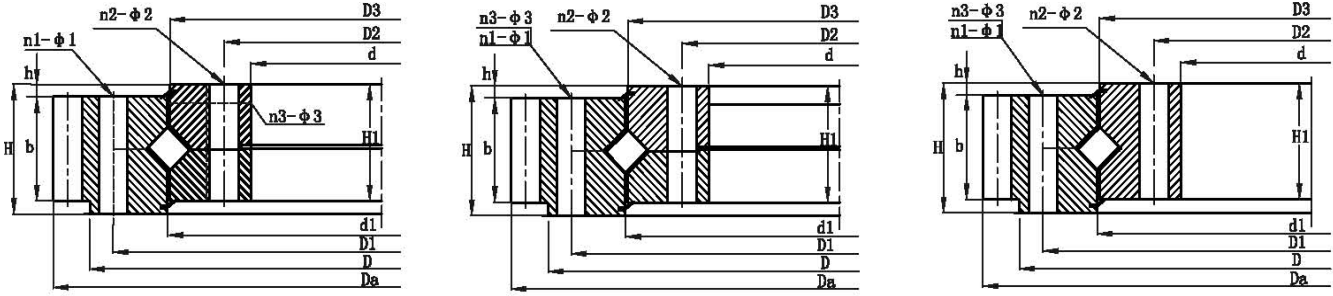
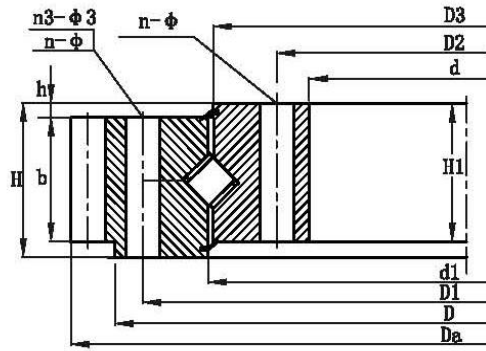


### CORSOVER ROLLER SLEWING BEARING (EXTERIAL GEAR)



Designation	Boundary dimensions			Bolt hole diameter				Structure dimensions						Gear parameters				Basic load ratings coa	Weight			
	D	d	H	D1	D2	n1	n2	φ1	φ2	D3	d1	H1	h	n3	φ3	m	Da			Z	b	x
	mm			mm				mm		mm						mm				10 <sup>4</sup> N	kg	
EGCRM 1056.885.83	1056	885	83	1032	925	16	16	M16	18	986	988	75	13	--	--	8	1096	135	63	0	176	172
EGCRM 1150.885.115	1150	885	115	1115	935	16	16	18	18	1023	1027	100	15	4	M8x1	5	1180	234	80	0	292	330
EGCRM 1415.1100.115	1415	1100	115	1345	1160	24	24	21	21	1253	1255	100	15	4	M12x1.25	6	1452	240	84	0	270	497
EGCRM 1400.1100.140	1400	1100	140	1352	1160	26	26	24	26	1260	1264	126	21	4	M10x1	14	1477.28	104	90	-0.24	430	642
EGCRM 1400.1100.145	1400	1100	145	1352	1160	26	26	24	26	1260	1264	131	26	4	M10x1	14	1477.28	104	90	-0.24	430	644
EGCRM 1548.1250.148	1548	1250	148	1512	1297	16	16	25	25	1403	1407	122	20	4	M10x1	12	1608	132	100	0	539	661
EGCRM 1595.1278.120	1595	1278	120	1535	1335	36	36	26	26	1428	1432	105	15	4	M10x1	12	1655.46	134	90	+1.15	485	597
EGCRM 1705.1300.165	1705	1300	165	1644	1360	24	24	32	32	1504	1508	134	31	4	M10x1	14	1783.6	126	85	-0.3	578	1023
EGCRM 1715.1400.110	1715	1400	110	1660	1460	42	42	26	26	1558	1562	95	17	4	M12x1.25	12	1780.8	147	78	-0.3	597	579
EGCRM 1800.1460.125	1800	1460	125	1735	1525	32	36	26	26	1633	1637	110	10	4	M10x1	14	1881.6	133	95	-0.3	627	828
EGCRM 2600.2100.180	2600	2100	180	2540	2200	48	48	32	32	2368	2372	158	22	8	M10x1	18	2700	148	130	0	1100	2395
EGCRM 3108.2460.220	3108	2460	220	2930	2560	30	30	33	34	2745	2747	200	35	15	ZG1/4in	14	3108	220	200	0	1386	4091
EGCRM 2920.2500.260	2920	2500	260	3060	2622	36	36	40	40	2949	2916	240	60	36	ZG1/4in	18	3258	179	190	0	1996	5407
EGCRM 3332.2635.270	3332	2635	270	3240	2755	36	36	42	42	2998	3002	240	45	6	M12x1.25	20	3440	170	200	0	2950	5973
EGCRM 3970.3230.240	3970	3230	240	3820	3350	52	54	37	37	3578	3582	220	20	9	M12x1.25	25	4100	162	200	0	3520	7612

### CORSSOVER ROLLER SLEWING BEARING (EXTERNAL GEAR)



Designation	Boundary dimensions			Bolt hole diameter				Structure dimensions						Gear parameters						Basic load ratings coa	Weight			
	D	d	H	D1	D2	n	φ	D3 (D3')	d1 (d1')	H1	h	n3	φ3	m	Da	Z	da	Z	b			x	10 <sup>4</sup> N	kg
	mm			mm				mm						mm										
EGCRM 602.398.75	602	398	75	566	434	20	18	499	501	65	10	4	M10x1	5	630	123	365	74	60	0.5	104	80		
EGCRM 662.458.75	662	458	75	626	494	20	18	558.5	561.5	65	10	4	M10x1	5	690	135	425	86	60	0.5	116	90		
EGCRM 732.528.75	732	528	75	696	564	24	18	628.5	631.5	65	10	4	M10x1	6	774	126	492	83	60	0.5	130	100		
EGCRM 812.608.75	812	608	75	776	644	24	18	708.5	711.5	65	10	4	M10x1	6	852	139	570	96	60	0.5	149	110		
EGCRM 922.678.82	922	678	82	878	722	30	22	798.5	801.5	72	10	6	M10x1	8	968	118	632	80	65	0.5	185	170		
EGCRM 1022.778.82	1022	778	82	978	822	30	22	898.5	901.5	72	10	6	M10x1	8	1065	130	736	93	65	0.5	209	190		
EGCRM 1122.878.82	1122	878	82	1078	922	36	22	998.5	1001.5	72	10	6	M10x1	10	1190	116	820	83	65	0.5	233	210		
EGCRM 1542.998.82	1542	998	82	1198	1042	36	22	1118	1122	72	10	6	M10x1	10	1300	127	940	95	65	0.5	262	230		
EGCRM 1390.1110.91	1390	1110	91	1337	1163	40	26	1248	1252	81	10	6	M10x1	12	1452	118	1044	88	75	0.5	321	350		
EGCRM 1540.1260.91	1540	1260	91	1487	1313	40	26	1398	1402	81	10	6	M10x1	12	1608	131	1188	100	75	0.5	358	400		
EGCRM 1740.1460.91	1740	1460	91	1687	1513	45	26	1598	1602	81	10	8	M10x1	14	1820	127	1386	100	75	0.5	412	440		
EGCRM 1940.1660.91	1940	1660	91	1887	1713	45	26	1798	1802	81	10	8	M10x1	14	2016	141	1568	113	75	0.5	460	500		
EGCRM 21781825112	2178	1825	112	2110	1891	48	33	1998	2002	100	12	8	M10x1	16	2272	139	1728	109	90	0.5	686	900		
EGCRM 2418.2065.112	2418	2065	112	2350	2131	48	33	2237.5	2242.5	100	12	8	M10x1	16	2496	153	1984	125	90	0.5	764	1000		
EGCRM 2678.2325.112	2678	2325	112	2610	2391	56	33	2497.5	2502.5	100	12	8	M10x1	18	2772	151	2232	125	90	0.5	797	876		
EGCRM 2978.2625.112	2978	2625	112	2910	2691	56	33	2797.5	2802.5	100	12	8	M10x1	18	3078	168	2520	141	90	0.5	960	1250		
EGCRM 33762922134	3376	2922	134	3286	3014	56	45	3147.5	3151.5	122	12	8	M10x1	20	3480	171	2820	142	110	0.5	1380	2150		
EGCRM 3776.3322.134	3776	3322	134	3686	3414	56	45	3547.5	3552.5	122	12	8	M10x1	20	3880	191	3220	162	110	0.5	1570	2470		
EGCRM 4226.3772.134	4226	3772	134	4136	3864	60	45	3997.5	4002.5	122	12	10	M10x1	22	4334	194	3652	167	110	0.5	1760	2800		
EGCRM 4726.4272.134	4726	4272	134	4636	4364	60	45	4497.5	4502.5	122	12	10	M10x1	22	4940	217	4158	191	110	0.5	1980	3100		