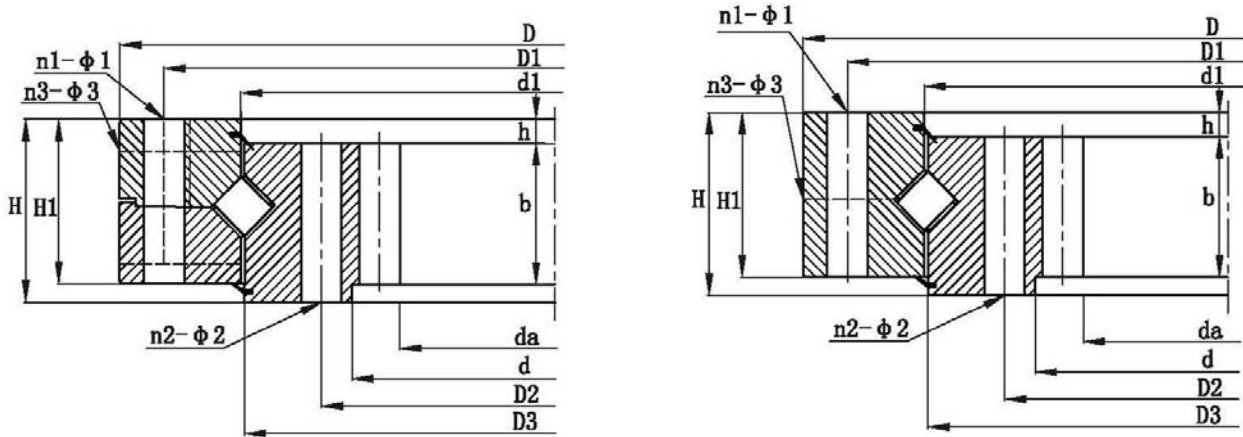
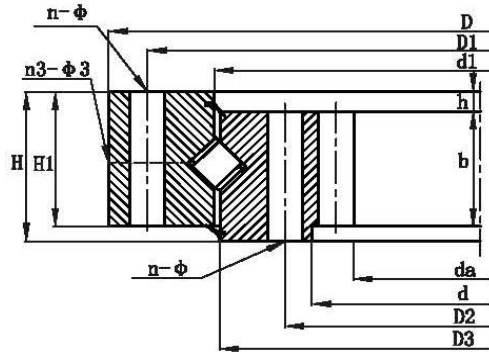


CORSSOVER ROLLER SLEWING BEARING (INTERIAL GEAR)



Designation	Boundary dimensions			Bolt hole diameter						Structure dimensions						Gear parameters					Basic load ratings coa	Weight
	D	d	H	D1	D2	n1	n2	φ1	φ2	D3	d1	H1	h	n3	φ3	m	Da	Z	b	x		
	mm			mm				mm		mm						mm		mm		10 ⁴ N		
IGCRM 920.695.90	920	695	90	870	735	30	30	18	18	800	804	76	4	3	10	7	658	96	65	0	161	175
IGCRM 1000.760.95	1000	760	95	956	800	24	24	20	20	878	882	82	15	4	M10x1	8	718.18	91	70	0.35	237	206
IGCRM 1180.870.115	1180	870	115	1125	920	18	18	26	26	1023	1027	100	15	2	M8x1	8	828.8	105	90	0.3	292	374
IGCRM 1170.875.95	1170	875	95	1120	930	24	24	22	22	1018	1022	82	15	4	M10x1	8	830.1	105	70	0.35	276	297
IGCRM 1200.95.90	1200	95	90	1160	1000	36	18	18	18	1088	1092	76	10	4	M8x1	8	908.8	115	72	0.3	254	245
IGCRM 1200.95.90	1200	95	90	1160	1000	36	18	18	18	1088	1092	76	10	4	M8x1	8	908.8	115	72	0.3	254	245
IGCRM 1200.1010.90	1200	1010	90	1160	1041	36	20	22	M20	1088	1092	76	10	2	M8x1	10	962	97	72	0.6	254	199
IGCRM 1200.1010.90	1200	1010	90	1160	1041	36	20	22	M20	1088	1092	76	10	2	M8x1	10	962	97	72	0.6	254	199
IGCRM 1595.1278.120	1595	1278	120	1535	1335	36	36	26	26	1428	1432	106	14	6	M10x1	12	1221.14	103	90	0.35	398	585
IGCRM 1715.1400.110	1715	1400	110	1660	1460	40	40	26	M24	1558	1562	95	15	4	M10x1	10	1330	135	90	0	597	587
IGCRM 2420.2000.160	2420	2000	160	2350	2070	48	48	33	M30	2207	2213	140	20	6	M10x1	14	1913.5	138	120	0.3	1084	1607
IGCRM 2670.2240.160	2670	2240	160	2600	2320	54	54	35	M36	2457	2463	140	20	6	M12x1.25	16	2154.5	136	120	0.3	1441	1798
IGCRM 2800.2300.208	2800	2300	208	2710	2390	42	48	38	M36	2535	2545	180	18	6	M10x1	20	2162.75	110	175	0	1743	2756
IGCRM 3325.2680.300	3325	2680	300	3242	2754	32	32	33	33	2996	3000	270	30	4	M16x1.5	16	2592	164	180	0	3587	6320
IGCRM 3325.2680.300	3325	2680	300	3242	2754	48	48	33	33	2996	3000	270	30	4	M16x1.5	16	2592	164	180	0	3587	6320
IGCRM 3325.2680.300	3325	2680	300	3242	2754	32	32	33	33	2996	3000	270	30	4	M16x1.5	16	2592	164	180	0	3035	6641
IGCRM 3850.3322.200	3850	3322	200	3720	3420	60	60	45	45	3568	3572	180	30	12	Z1/4in	22	3206.368	147	158	0.35	1806	4520

CORSSOVER ROLLER SLEWING BEARING (INTERNAL GEAR)



Designation	Boundary dimensions			Bolt hole diameter			Structure dimensions						Gear parameters						Basic load ratings coa	Weight	
	D	d	H	D1	D2	n φ	D3 (D3')	d1 (d1')	H1	h	n ₃	φ3	m	Da	Z	da	Z	b			x
	mm			mm			mm						mm		mm		mm				10 ⁴ N
IGCRM 602.398.75	602	398	75	566	434	20 18	499	501	65	10	4	M10x1	5	630	123	365	74	60	0.5	104	80
IGCRM 662.458.75	662	458	75	626	494	20 18	558.5	561.5	65	10	4	M10x1	5	690	135	425	86	60	0.5	116	90
IGCRM 732.528.75	732	528	75	696	564	24 18	628.5	631.5	65	10	4	M10x1	6	774	126	492	83	60	0.5	130	100
IGCRM 812.608.75	812	608	75	776	644	24 18	708.5	711.5	65	10	4	M10x1	6	852	139	570	96	60	0.5	149	110
IGCRM 922.678.82	922	678	82	878	722	30 22	798.5	801.5	72	10	6	M10x1	8	968	118	632	80	65	0.5	185	170
IGCRM 1022.778.82	1022	778	82	978	822	30 22	898.5	901.5	72	10	6	M10x1	8	1065	130	736	93	65	0.5	209	190
IGCRM 1122.878.82	1122	878	82	1078	922	36 22	998.5	1001.5	72	10	6	M10x1	10	1190	116	820	83	65	0.5	233	210
IGCRM 1542.998.82	1542	998	82	1198	1042	36 22	1118	1122	72	10	6	M10x1	10	1300	127	940	95	65	0.5	262	230
IGCRM 1390.1110.91	1390	1110	91	1337	1163	40 26	1248	1252	81	10	6	M10x1	12	1452	118	1044	88	75	0.5	321	350
IGCRM 1540.1260.91	1540	1260	91	1487	1313	40 26	1398	1402	81	10	6	M10x1	12	1608	131	1188	100	75	0.5	358	400
IGCRM 1740.1460.91	1740	1460	91	1687	1513	45 26	1598	1602	81	10	8	M10x1	14	1820	127	1386	100	75	0.5	412	440
IGCRM 1940.1660.91	1940	1660	91	1887	1713	45 26	1798	1802	81	10	8	M10x1	14	2016	141	1568	113	75	0.5	460	500
IGCRM 2002.1665.156	2002	1665	156	1940	1720	54 30	1827	1833	128	28	6	M10x1	12	--	--	1610	135	100	0.5	571	912
IGCRM 2178.1825.112	2178	1825	112	2110	1891	48 33	1998	2002	100	12	8	M10x1	16	2272	139	1728	109	90	0.5	686	900
IGCRM 2418.2065.112	2418	2065	112	2350	2131	48 33	2237.5	2242.5	100	12	8	M10x1	16	2496	153	1984	125	90	0.5	764	1000
IGCRM 2678.2325.112	2678	2325	112	2610	2391	56 33	2497.5	2502.5	100	12	8	M10x1	18	2772	151	2232	125	90	0.5	797	876
IGCRM 2978.2625.112	2978	2625	112	2910	2691	56 33	2797.5	2802.5	100	12	8	M10x1	18	3078	168	2520	141	90	0.5	960	1250
IGCRM 3376.2922.134	3376	2922	134	3286	3014	56 45	3147.5	3151.5	122	12	8	M10x1	20	3480	171	2820	142	110	0.5	1380	2150
IGCRM 3776.3322.134	3776	3322	134	3686	3414	56 45	3547.5	3552.5	122	12	8	M10x1	20	3880	191	3220	162	110	0.5	1570	2470
IGCRM 4226.3772.134	4226	3772	134	4136	3864	60 45	3997.5	4002.5	122	12	10	M10x1	22	4334	194	3652	167	110	0.5	1760	2800
IGCRM 4726.4272.134	4726	4272	134	4636	4364	60 45	4497.5	4502.5	122	12	10	M10x1	22	4940	217	4158	191	110	0.5	1980	3100