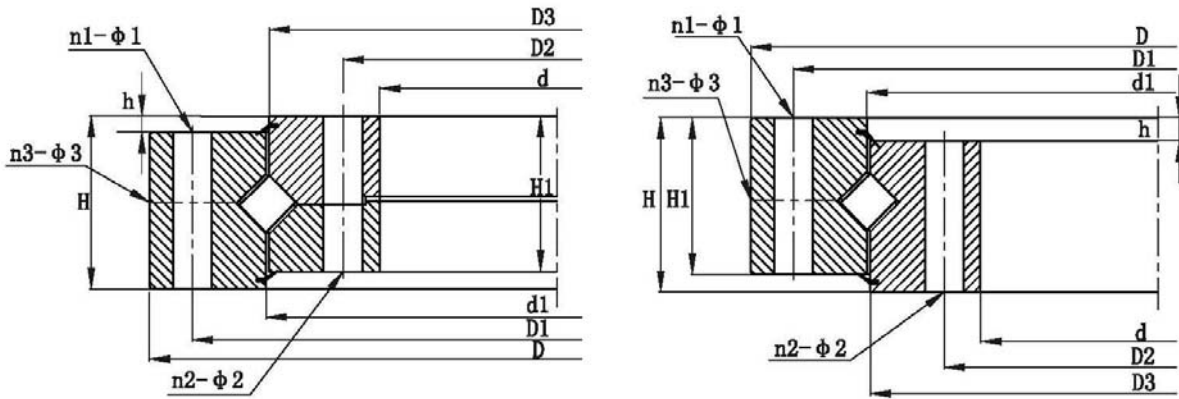
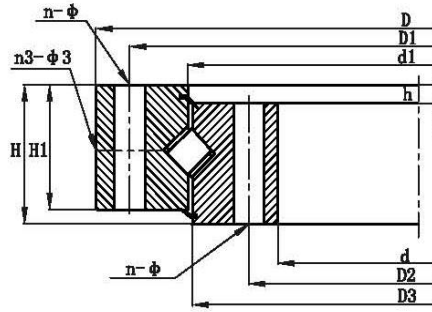


CORSSOVER ROLLER SLEWING BEARING (UNGEARED)



Designation	Boundary dimensions			Bolt hole diameter						Structure dimensions						Basic load ratings coa	Weight
	D	d	H	D1	D2	n1	n2	φ1	φ2	D3	d1	H1	h	n3	φ3		
	mm			mm				mm		mm						104 N	
NGCRM 500.320.85	500	320	85	515	365	12	8	17	18	438	442	75	10	--	--	88.2	85.6
NGCRM 900.600.125	900	600	125	848	690	30	29	26	M24	750	754	105	15	3	M10x1	280	246
NGCRM 907.670.85	907	670	85	870	730	12	8	M16	18	808	812	75	10	--	--	165	170
NGCRM 1000.700.140	1000	700	140	940	770	24	24	M20	22	879	882	130	20	4	M10x1	254	370
NGCRM 1150.845.130	1150	845	130	1100	895	24	24	22	22	1024	1030	105	10	6	M6	401	393
NGCRM 1180.870.115	1180	870	115	1125	920	18	18	28	28	1023	1027	100	15	2	M8x1	292	355
NGCRM 118.870.115	118	870	115	1125	920	18	18	28	28	1023	1027	100	15	2	M10x1	232	355
NGCRM 1200.962.90	1200	962	90	--	--	--	--	--	--	1088	1092	76	10	--	--	254	224
NGCRM 1270.1000.100	1270	1000	100	1220	1050	36	36	19	19	1132	1138	85	15	4	M10x1	333	303
NGCRM 1400.1060.120	1400	1060	120	1220	--	--	--	--	--	1248	1252	120	--	--	--	429	596
NGCRM 1520.1200.90	1520	1200	90	--	--	--	--	--	--	1356	1364	90	--	--	--	409	504
NGCRM 1700.1250.155	1700	1250	155	1650	1330	24	24	26	26	1446	1450	140	10	6	M10x1	602	1103
NGCRM 1608.1250.148	1608	1250	148	1512	1297	16	16	25	25	1403	1407	128	26	4	M10x1	595	743
NGCRM 1660.1278.120	1660	1278	120	1535	1335	18	18	26	26	1428	1432	105	15	4	M10x1	427	589
NGCRM 1715.1320.134	1715	1320	134	--	--	--	--	--	--	1503	1509	--	--	--	--	607	958
NGCRM 1840.1370.160	1840	1370	160	1770	1430	30	24	28	28	1598	1602	140	10	4	M10x1	997	1213
NGCRM 1700.1380.145	1700	1380	145	1650	1440	24	24	27	27	1568	1574	140	5	6	M10x1	461	746
NGCRM 1680.1412.70	1680	1412	70	--	1460	--	24	--	18	1544	1548	120	25	2	M10x1	617	725
NGCRM 1680.1412.185	1680	1412	185	--	1460	--	24	--	18	1544	1548	120	25	2	M12x1.25	576	759
NGCRM 2140.1600.145	2140	1600	145	1940	1710	48	48	26	26	1828	1832	135	10	4	M10x1	896	1357
NGCRM 2210.1776.150	2210	1776	150	2105	1840	36	36	26	26	1968	1972	135	15	4	M10x1	1113	1244
NGCRM 2320.1860.151	2320	1860	151	2245	1980	42	42	33	33	2113	2117	150	10	6	M10x1	890	1772
NGCRM 2320.1916.150	2320	1916	150	2245	1980	42	42	34	34	2113	2117	130	20	3	M10x1	1195	1214
NGCRM 2860.2190.300	2860	2190	300	2800	2270	36	36	32	32	2530	2550	260	40	12	8	3035	4797
NGCRM 2980.2500.180	2980	2500	180	2910	2590	48	48	33	33	2739	2743	170	10	6	M16x1.5	1760	2913
NGCRM 3310.2800.190	3310	2800	190	3220	2890	60	60	39	39	3050	3060	165	25	2	M10x1	2117	2864

CORSOVER ROLLER SLEWING BEARING (UNGEARED)



Designation	Boundary dimensions			Bolt hole diameter				Structure dimensions						Basic load ratings coa	Weight
	D	d	H	D1	D2	n	φ	D3 (D3')	d1 (d1')	H1	h	n3	φ3		
	mm			mm				mm							
NGCRM 602.398.75	602	398	75	566	434	20	18	499	501	65	10	4	M10x1	104	80
NGCRM 662.458.75	662	458	75	626	494	20	18	558.5	561.5	65	10	4	M10x1	116	90
NGCRM 732.528.75	732	528	75	696	564	24	18	628.5	631.5	65	10	4	M10x1	130	100
NGCRM 812.608.75	812	608	75	776	644	24	18	708.5	711.5	65	10	4	M10x1	149	110
NGCRM 922.678.82	922	678	82	878	722	30	22	798.5	801.5	72	10	6	M10x1	185	170
NGCRM 1022.778.82	1022	778	82	978	822	30	22	898.5	901.5	72	10	6	M10x1	209	190
NGCRM 1122.878.82	1122	878	82	1078	922	36	22	998.5	1001.5	72	10	6	M10x1	233	210
NGCRM 1542.998.82	1542	998	82	1198	1042	36	22	1118	1122	72	10	6	M10x1	262	230
NGCRM 1390.1110.91	1390	1110	91	1337	1163	40	26	1248	1252	81	10	6	M10x1	321	350
NGCRM 1540.1260.91	1540	1260	91	1487	1313	40	26	1398	1402	81	10	6	M10x1	358	400
NGCRM 1740.1460.91	1740	1460	91	1687	1513	45	26	1598	1602	81	10	8	M10x1	412	440
NGCRM 1940.1660.91	1940	1660	91	1887	1713	45	26	1798	1802	81	10	8	M10x1	460	500
NGCRM 2178.1825.112	2178	1825	112	2110	1891	48	33	1998	2002	100	12	8	M10x1	686	900
NGCRM 2178.1825.112	2178	1825	112	2110	1891	48	33	1991	1995	100	12	8	M10x1	635	767
NGCRM 2418.2065.112	2418	2065	112	2350	2131	48	33	2237.5	2242.5	100	12	8	M10x1	764	1000
NGCRM 2678.2325.112	2678	2325	112	2610	2391	56	33	2497.5	2502.5	100	12	8	M10x1	797	876
NGCRM 2978.2625.112	2978	2625	112	2910	2691	56	33	2797.5	2802.5	100	12	8	M10x1	960	1250
NGCRM 3376.2922.134	3376	2922	134	3286	3014	56	45	3147.5	3151.5	122	12	8	M10x1	1380	2150
NGCRM 3776.3322.134	3776	3322	134	3686	3414	56	45	3547.5	3552.5	122	12	8	M10x1	1570	2470
NGCRM 4226.3772.134	4226	3772	134	4136	3864	60	45	3997.5	4002.5	122	12	10	M10x1	1760	2800
NGCRM 4726.4272.134	4726	4272	134	4636	4364	60	45	4497.5	4502.5	122	12	10	M10x1	1980	3100