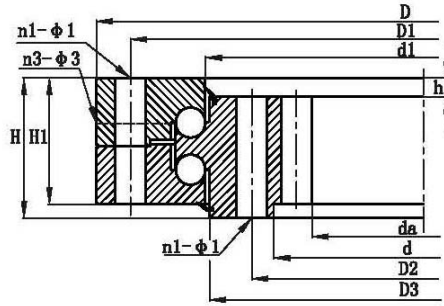


DOUBLE ROW BALL SLEWING BEARINGS (INTERNAL GEAR)



Designations	Boundary dimensions			Bolt hole diameter				Structure dimensions						Gear parameters						Basic load ratings coa	Weight	
	D	d	H	D1	D2	n	φ	D3 (D3')	d1 (d1')	H1	h	n/3	φ3	m	Da	Z	da	Z	b			x
	mm			mm				mm						mm		mm		mm				10 ⁴ N
IGDBM 616.384.106	616	384	106	580	420	20	18	523	517	96	26	4	M10x1	5	645	126	355	72	60	+0.5	121	100
IGDBM 676.444.106	676	444	106	640	480	20	18	583	577	96	26	4	M10x1	5	705	138	415	84	60	+0.5	134	115
IGDBM 746.514.106	746	514	106	710	550	24	18	653	647	96	26	4	M10x1	6	792	129	480	81	60	+0.5	153	130
IGDBM 826.594.106	826	594	106	790	630	24	18	733	727	96	26	4	M10x1	6	864	141	558	94	60	+0.5	173	140
IGDBM 942.658.124	942	658	124	898	702	30	22	828	822	114	29	6	M10x1	8	984	120	616	78	80	+0.5	230	200
IGDBM 1042.758.124	1042	758	124	998	802	30	22	928	922	114	29	6	M10x1	8	1088	133	712	90	80	+0.5	258	250
IGDBM 1142.858.124	1142	858	124	1098	902	36	22	1028	1022	114	29	6	M10x1	10	1200	117	810	82	80	+0.5	286	300
IGDBM 1262.978.124	1262	978	124	1218	1022	36	22	1148	1142	114	29	6	M10x1	10	1320	129	920	93	80	+0.5	321	340
IGDBM 1426.1074.160	1426	1074	160	1374	1126	40	26	1286	1282	150	39	6	M10x1	12	1500	122	1008	85	90	+0.5	482	580
IGDBM 1576.1224.160	1576	1224	160	1524	1272	40	26	1436	1432	150	39	6	M10x1	12	1644	134	1152	97	90	+0.5	543	650
IGDBM 1776.1424.160	1776	1424	160	1724	1476	45	26	1636	1632	150	39	8	M10x1	14	1848	129	1344	97	90	+0.5	620	750
IGDBM 1976.1624.160	1976	1624	160	1924	1676	45	26	1836	1832	150	39	8	M10x1	14	2058	144	1540	111	90	+0.5	692	820
IGDBM 2215.1785.190	2215	1785	190	2149	1851	48	33	2038	2032	178	47	8	M10x1	16	2304	141	1696	107	120	+0.5	987	1150
IGDBM 2455.2025.190	2455	2025	190	2389	2091	48	33	2278	2272	178	47	8	M10x1	16	2544	156	1936	122	120	+0.5	1110	1500
IGDBM 2715.2285.190	2715	2285	190	2649	2351	56	33	2538	2532	178	47	8	M10x1	18	2804	153	2196	123	120	+0.5	1110	1500
IGDBM 3015.2585.190	3015	2585	190	2649	2651	56	33	2838	2832	178	47	8	M10x1	18	3114	170	2484	139	120	+0.5	1390	1900
IGDBM 3428.2872.226	3428	2872	226	3338	2962	56	45	3198	3192	214	56	8	M10x1	20	3540	174	2760	139	150	+0.5	1870	3300
IGDBM 3828.3272.226	3828	3272	226	3738	3362	56	45	3598	3592	214	56	8	M10x1	20	3940	194	3160	159	150	+0.5	2110	3700
IGDBM 4278.3722.226	4278	3722	226	4188	3812	60	45	4048	4042	214	56	10	M10x1	22	4400	197	3608	165	150	+0.5	2170	4200
IGDBM 4778.4222.226	4778	4222	226	4688	4312	60	45	4548	4542	214	56	10	M10x1	22	4884	219	4114	188	150	+0.5	2670	4700