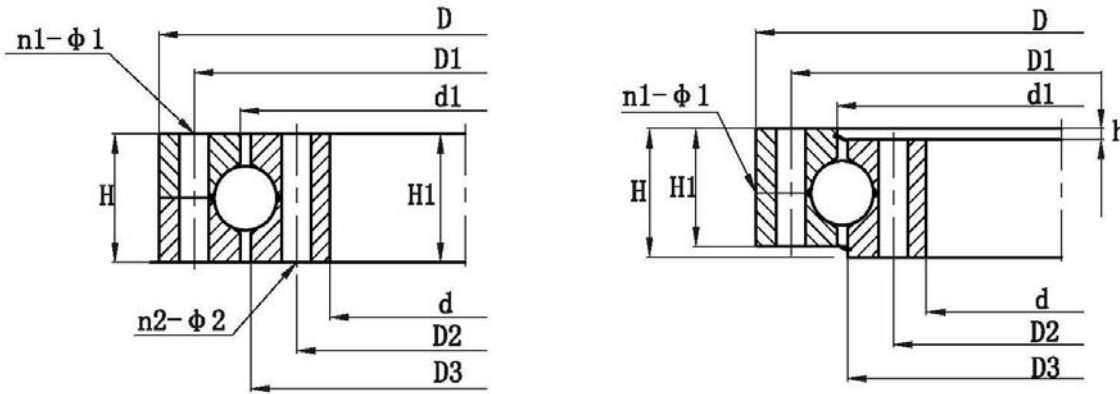
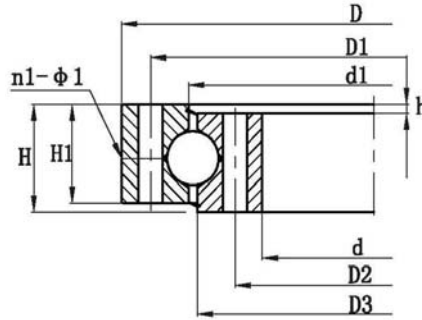


SINGLE ROW BALL SLEWING BEARING (UNGEARED)



Designations	Boundary dimensions			Bolt hole diameter						Structure dimensions						Basic load ratings coa	Mass
	D	d	H	D1	D2	n1	n2	φ1	φ2	D3	d1	H1	h	n3	φ3		
	mm			mm				mm		mm							
NGSBM 480.260.60	480	260	60	444	296	16	16	14	14	360	380	60	--	--	--	75.4	55
NGSBM 590.460.45	590	460	45	570	488	8	12	M10	10	518	542	45	--	--	--	62.6	35.9
NGSBM 780.530.60	780	530	60	740	560	20	20	17	13	645	665	35	--	--	--	112	103
NGSBM 720.560.36	720	560	36	690	590	12	12	14	12	638.5	641.5	33	3	--	--	70.8	40.3
NGSBM 780.560.60	780	560	60	--	--	--	--	--	--	645	668	60	3	--	--	224	103
NGSBM 780.630.69	780	630	69	--	--	--	--	--	--	718	722	69	--	--	--	111	79.4
NGSBM 900.700.36	900	700	36	860	740	12	12	M16	17	796	804	36	3	--	--	179	60
NGSBM 950.760.80	950	760	80	915	795	24	24	18	M16	853.5	856.5	71	9	4	M1081	203	138
NGSBM 1000.775.64	1000	775	64	948	802	24	12/12	M12	13/M12	878	882	49	15	2	M8*1	196	112
NGSBM 1050.800.90	1050	800	90	1012	838	30	30	20	20	923	927	76	16	3	M10*1	215	192
NGSBM 1120.850.85	1120	850	85	1074	924	12	12	M20	22	995	1010	85	--	--	--	151	248
NGSBM 1200.932.120	1200	932	120	1148	984	40	40	26	M24	1064	1068	100	20	4	G1/4IN	349	328
NGSBM 1165.960.90	1165	960	90	1135	1040	36	36	18	M16	1073	1077	78	14	6	M10*1	249	202
NGSBM 1250.1000.100	1250	1000	100	1206	1044	12	12	18	M16	1123	1127	90	10	3	M10*1	540	283
NGSBM 1509.1260.90	1509	1260	90	1465	1315	36	36	22	M20	1386	1389	70	14	2	ZG1/8in	378	274
NGSBM 1820.1400.136	1820	1400	136	1750	1470	24	24	35	35	1608	1612	136	--	4	M10*1	611	1114
NGSBM 1780.1440.100	1780	1440	100	1730	1494	48	48	22	M20	1618	1622	85	15	4	M12*1.25	503	533
NGSBM 1927.1628.130	1927	1628	130	1875	1680	36	36	26	M24	1774	1778	115	15	6	G1/4in	692	732
NGSBM 2000.1700.150	2000	1700	150	1950	1750	24	24	21	21	1842	1858	130	20	4	M10*1	684	826
NGSBM 1050.832.56	1050	832	56	1020	862	12	12	18	18	942	946	45	--	4	M6	227	52.5
NGSBM 485.275.55	485	275	55	453	307	16	12	18	M16	381	386	50	5	4	M10*1	87.2	43.7
NGSBM 440.240.55	440	240	55	400	280	18	18	M20-7H	22	340	342	50	5	3	M10*1	78.2	34.7

SINGLE ROW BALL SLEWING BEARING (UNGEARED)



Designations	Boundary dimensions			Bolt hole diameter				Structure dimensions						Basic load ratings coa	Weight
	D	d	H	D1	D2	n	φ	D3 (D3')	d1 (d1')	H1	h	n3	φ3		
	mm			mm		mm		mm							
NGSBM 602.398.80	602	398	80	566	434	20	18	498.5	501.5	70	10	4	m10x1	129	75.8
NGSBM 662.458.80	662	458	80	626	494	20	18	558.5	561.5	70	10	4	m10x1	144	94
NGSBM 732.528.80	732	528	80	696	564	24	18	628.5	631.5	70	10	4	m10x1	187	110
NGSBM 812.608.80	812	608	80	776	644	24	18	708.5	711.5	70	10	4	m10x1	212	120
NGSBM 1098.893.90	1098	893	90	1060	845	48/47	22	956.5	953.5	71	19	6	m10x1	270	126
NGSBM 922.678.100	922	678	100	878	722	30	22	798.5	801.5	90	10	6	m10x1	313	256
NGSBM 1022.778.100	1022	778	100	978	822	30	22	898.5	901.5	90	10	6	m10x1	355	240
NGSBM 1122.878.100	1122	878	100	1078	922	36	22	998.5	1001.5	90	10	6	m10x1	394	305
NGSBM 1242.998.100	1242	998	100	1198	1042	36	22	1118	1122	90	10	6	m10x1	443	300
NGSBM 1390.1110.110	1390	1110	110	1337	1163	40	26	1248	1252	100	10	6	m10x1	554	420
NGSBM 1540.1260.110	1540	1260	110	1487	1313	40	26	1398	1402	100	10	6	m10x1	617	480
NGSBM 1740.1460.110	1740	1460	110	1687	1513	45	26	1598	1602	100	10	8	m10x1	702	550
NGSBM 1940.1660.110	1940	1660	110	1887	1713	45	26	1798	1802	100	10	8	m10x1	793	610
NGSBM 2178.1825.144	2178	1825	144	2110	1891	48	33	1998	2002	132	12	8	m10x1	1210	1100
NGSBM 2418.2065.144	2418	2065	144	2350	2131	48	33	2237.5	2242.5	132	12	8	m10x1	1350	1250
NGSBM 2678.2325.144	2678	2325	144	2610	2391	56	33	2497.5	2502.5	162	12	8	m10x1	1500	1400
NGSBM 2978.2625.144	2978	2625	144	2910	2691	56	33	2797.5	2802.5	162	12	8	m10x1	1680	1600
NGSBM 3376.2922.174	3376	2922	174	3286	3014	56	45	3147.5	3152.5	162	12	8	m10x1	2380	2800
NGSBM 3776.3322.174	3776	3322	174	3686	3414	56	45	3547.5	3552.5	162	12	8	m10x1	2690	3200
NGSBM 4226.3772.174	4226	3772	174	4136	3864	60	45	3997.5	4002.5	162	12	10	m10x1	3020	3600
NGSBM 4726.4272.174	4726	4272	174	4636	4364	60	45	4497.5	4502.5	162	12	10	m10x1	3410	4000