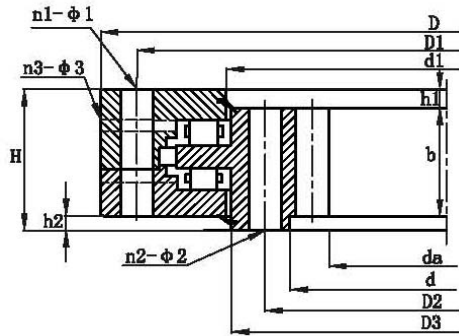


### THREE ROW ROLLER SLEWING BEARING (INTERNAL GEAR)



Designation	Boundary dimensions			Bolt hole diameter				Structure dimensions						Gear parameters						Basic load ratings coa	Weight		
	D	d	H	D1	D2	n	φ	D3 (D3')	d1 (d1')	h1	h2	n3	φ3	m	Da	Z	da	Z	b			x	
	mm			mm				mm						mm		mm		mm				10 <sup>4</sup> N	kg
IGTRM 634.366.148	634	366	148	598	402	24	18	537	526	32	10	4x2	M10x1	5	665	130	335	68	80	+0.5	275	35.5	224
IGTRM 634.426.148	694	426	148	658	462	24	18	597	586	32	10	4x2	M10x1	5	725	142	395	80	80	+0.5	308	39.9	240
IGTRM 764.496.148	764	496	148	728	532	28	18	667	656	32	10	4x2	M10x1	6	810	132	456	77	80	+0.5	345	45.1	270
IGTRM 844.576.148	844	576	148	808	612	28	18	747	736	32	10	4x2	M10x1	6	888	145	534	90	80	+0.5	388	51.7	300
IGTRM 964.636.182	964	636	182	920	680	36	22	841	830	40	10	4x2	M10x1	8	1008	123	592	75	120	+0.5	549	71.2	500
IGTRM 1064.736.182	1064	736	182	1020	780	36	22	941	930	40	10	4x2	M10x1	8	1104	135	688	87	120	+0.5	619	80.8	600
IGTRM 1164.836.182	1164	836	182	1120	880	40	22	1041	1030	40	10	5x2	M10x1	10	1220	119	780	79	120	+0.5	689	90.3	680
IGTRM 1284.956.182	1284	956	182	1240	1000	40	22	1161	1150	40	10	5x2	M10x1	10	1340	131	900	91	120	+0.5	768	102	820
IGTRM 1445.1055.220	1445	1055	220	1393	1107	45	26	1210	1200	50	10	5x2	M10x1	14	1512	105	980	71	150	+0.5	1110	146	1200
IGTRM 1595.1205.220	1595	1205	220	1543	1257	45	26	1360	1350	50	10	5x2	M10x1	14	1666	116	1134	80	150	+0.5	1240	165	1300
IGTRM 1795.1405.220	1795	1405	220	1743	1457	48	26	1650	1640	50	10	6x2	M10x1	14	1876	131	1330	96	150	+0.5	1420	190	1520
IGTRM 1995.1605.220	1995	1605	220	1943	1657	48	26	1850	1840	50	10	6x2	M10x1	14	2072	145	1526	110	150	+0.5	1590	215	1750
IGTRM 2221.1779.231	2221	1779	231	2155	1845	60	33	2055	2033	54	12	6x2	M10x1	16	2304	141	1696	107	160	+0.5	2050	239	2400
IGTRM 2461.2019.231	2461	2019	231	2395	2085	60	33	2295	2273	54	12	6x2	M10x1	16	2560	157	1920	121	160	+0.5	2310	268	2700
IGTRM 2721.2279.231	2721	2279	231	2655	2645	72	33	2467	2445	54	12	8x2	M10x1	20	2820	138	2180	110	160	+0.5	2580	302	3000
IGTRM 3021.2579.231	3021	2579	231	2955	2645	72	33	2767	2745	54	12	8x2	M10x1	20	3120	153	2480	125	160	+0.5	2880	339	3400
IGTRM 3432.2868.270	3432	2868	270	3342	2958	72	45	3213	3196	65	12	8x2	M10x1	20	3540	174	2760	139	180	+0.5	3590	381	5000
IGTRM 4282.3718.270	4282	3718	270	4192	3908	80	45	4063	4046	65	12	8x2	M10x1	22	4400	197	3608	165	180	+0.5	4560	487	6400
IGTRM 4782.4218.270	4782	4218	270	4692	4308	80	45	4563	4546	65	12	8x2	M10x1	22	4906	220	4114	188	185	+0.5	5445	580	6942