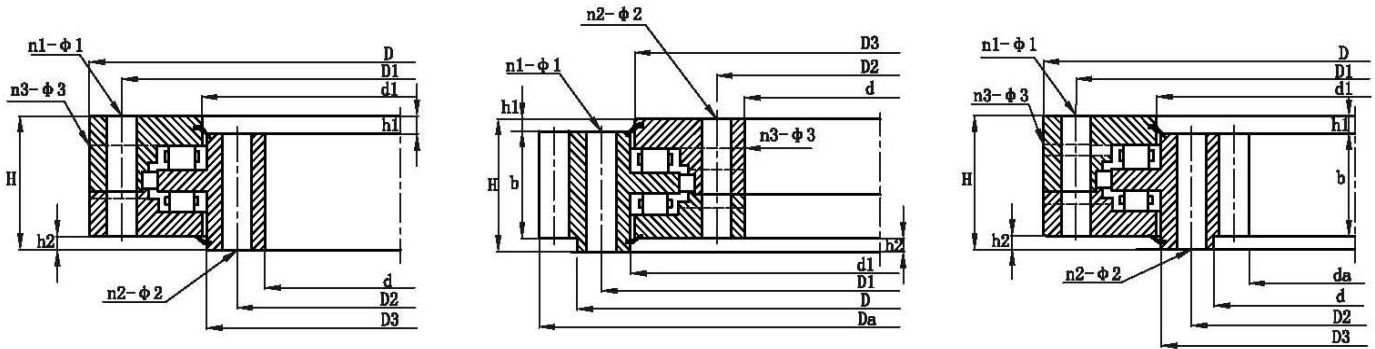


THREE ROW ROLLER SLEWING BEARINGS



UNGEARED

Designation	Boundary dimensions			Bolt hole diameter				Structure dimensions						Gear parameters				Basic load ratings coa		Mass			
	D	d	H	D1	D2	n1	n2	φ1	φ2	D3	d1	h1	h2	n3	φ3	m	Da	Z	b		x	10 ⁴ N	kg
	mm			mm				mm		mm				mm		mm		mm					
NGTRM 4300.3650.355	4300	3650	355	4210	3750	90	90	48	48	3850	3680	--	--	18	M16x1.5	--	--	--	--	--	6570	1330	9503

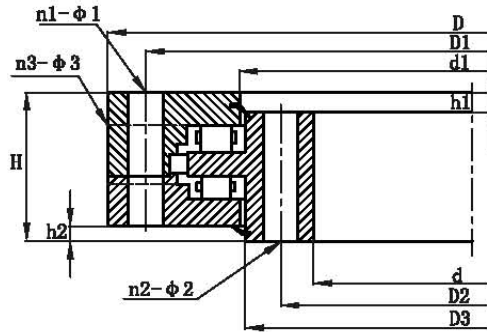
EXTERNAL GEAR

Designation	Boundary dimensions			Bolt hole diameter				Structure dimensions						Gear parameters				Basic load ratings coa		Mass			
	D	d	H	D1	D2	n1	n2	φ1	φ2	D3	d1	h1	h2	n3	φ3	m	Da	Z	b		x	10 ⁴ N	kg
	mm			mm				mm		mm				mm		mm		mm					
EGTRM 1984.1605.250	1984	1605	250	1932	1657	36	48	26	26	1850	1856	50	33	6x3	M14x1.5	16	2064	127	170	0	1525	208	1800
EGTRM 2465.1850.256	2465	1850	256	2390	2020	60	60	39	39	2261	2247	46	20	6x2	M10x1	18	2554	139	180	0.5	2253	320	3515
EGTRM 2650.2240.180	2650	2240	180	2588	2300	54	54	34	34	2487	2482	30	15	6x3	M14x1.5	18	2854	150	132	0.5	1680	205	1832
EGTRM 3006.2590.200	3006	2590	200	2930	2670	60	60	39	39	2845	2860	21	20	10x3	M10x1	16	3086	190	95	0.4375	2192	316	2780
EGTRM 3006.2590.314	3006	2590	314	2930	2670	60	60	39	39	2860	2864	19	24	10x3	M10x1	16	3085	190	134	0.4375	2700	316	4209
EGTRM 3260.2800.220	3260	2800	220	3190	2870	60	60	39	39	3082	3068	30	18	6x3	M14x1.5	20	3360	166	160	0	2700	330	3288
EGTRM 3255.2800.240	3255	2800	240	3185	2870	48	64	39	M36X3	3082	3068	30	32	8x3	M14x1.5	18	3348	184	160	0	2700	330	3424
EGTRM 3400.2910.220	3400	2910	220	3315	2990	56	56	39	39	3200	3187	50	10	8x2	M14x1.5	22	3520	158	160	0	2670	458	3736
EGTRM 3888.3340.212	3888	3340	212	3735	3441	108	108	33	33	3642	3612	42	22	24	Z1/4in	24	3888	161	170	0.5	3900	410	3684

INTERNAL GEAR

Designation	Boundary dimensions			Bolt hole diameter				Structure dimensions						Gear parameters				Basic load ratings coa		Mass			
	D	d	H	D1	D2	n1	n2	φ1	φ2	D3	d1	h1	h2	n3	φ3	m	Da	Z	b		x	10 ⁴ N	kg
	mm			mm				mm		mm				mm		mm		mm					
IGTRM 2650.2216.220	2650	2216	220	2590	2276	56	40	M30	33	2380	2392	27	23	8x3	M10x1	16	2130	135	140	0	2050	302	2418
IGTRM 3150.2700.255	3150	2700	255	3070	2750	8	2	32	M30	2856	2852	40	30	4x2	M14x1.5	20	2609	132	180	0	2920	423	3699
IGTRM 5000.4190.430	5000	4190	430	4880	4310	66	72	44	44	4482	4410	49	30	12x2	M10x1	25	4068	164	240	0.35	10506	1116	14204

THREE ROW ROLLER SLEWING BEARING (UNGEARED)



Designation	Boundary dimensions			Bolt hole diameter				Structure dimensions						Basic load ratings coa		Weight
	D	d	H	D1	D2	n	φ	D3 (D3')	d1 (d1')	h1	h2	n3	φ3			
	mm			mm		mm		mm						10 ⁴ N		
NGTRM 634.366.148	634	366	148	598	402	24	18	537	526	32	10	4x2	M10x1	275	35.5	224
NGTRM 694.426.148	694	426	148	658	462	24	18	597	586	32	10	4x2	M10x1	308	39.9	240
NGTRM 764.496.148	764	496	148	728	532	28	18	667	656	32	10	4x2	M10x1	345	45.1	270
NGTRM 844.576.148	844	576	148	808	612	28	18	747	736	32	10	4x2	M10x1	388	51.7	300
NGTRM 964.636.182	964	636	182	920	680	36	22	841	830	40	10	4x2	M10x1	549	71.2	500
NGTRM 1064.736.182	1064	736	182	1020	780	36	22	941	930	40	10	4x2	M10x1	619	80.8	600
NGTRM 1164.836.182	1164	836	182	1120	880	40	22	1041	1030	40	10	5x2	M10x1	689	90.3	680
NGTRM 1284.956.182	1284	956	182	1240	1000	40	22	1161	1150	40	10	5x2	M10x1	768	102	820
NGTRM 1445.1055.220	1445	1055	220	1393	1107	45	26	1300	1290	50	10	5x2	M10x1	1110	146	1200
NGTRM 1595.1205.220	1595	1205	220	1543	1257	45	26	1450	1440	50	10	5x2	M10x1	1240	165	1300
NGTRM 1795.1405.220	1795	1405	220	1743	1457	48	26	1650	1640	50	10	6x2	M10x1	1420	190	1520
NGTRM 1995.1605.220	1995	1605	220	1943	1657	48	26	1850	1840	50	10	6x2	M10x1	1590	215	1750
NGTRM 2195.1816.150	2195	1816	150	2127	1885	60	33		2041	33	13	3x5	ZG1/4in	1690	66.3	1120
NGTRM 2461.2019.231	2461	2019	231	2395	2085	60	33	2295	2273	54	12	6x2	M10x1	2310	268	2700
NGTRM 3021.2579.231	3021	2579	231	2955	2645	72	33	2855	2833	54	12	8x2	M10x1	2880	339	3400
NGTRM 3432.2868.270	3432	2868	270	3342	2958	72	45	3213	3196	65	12	8x2	M10x1	3590	381	5000
NGTRM 3832.3268.270	3832	3268	270	3742	3358	72	45	3613	3596	65	12	8x2	M10x1	4040	431	5600
NGTRM 4282.3718.270	4282	3718	270	4192	3908	80	45	4063	4046	65	12	8x2	M10x1	4560	487	6400
NGTRM 4782.4218.270	4782	4218	270	4692	4308	80	45	4563	4546	65	12	8x2	M10x1	5445	580	6942